

WORLD CLASS WINCHES

RELIABLE – DEPENDABLE – UNCOMPLICATED



ROLLER FAIRLEAD

Technical Data

Dimensions

Opening

Roller diameter

Hole pattern

Weight

Product # 37.10.111

220x108x206

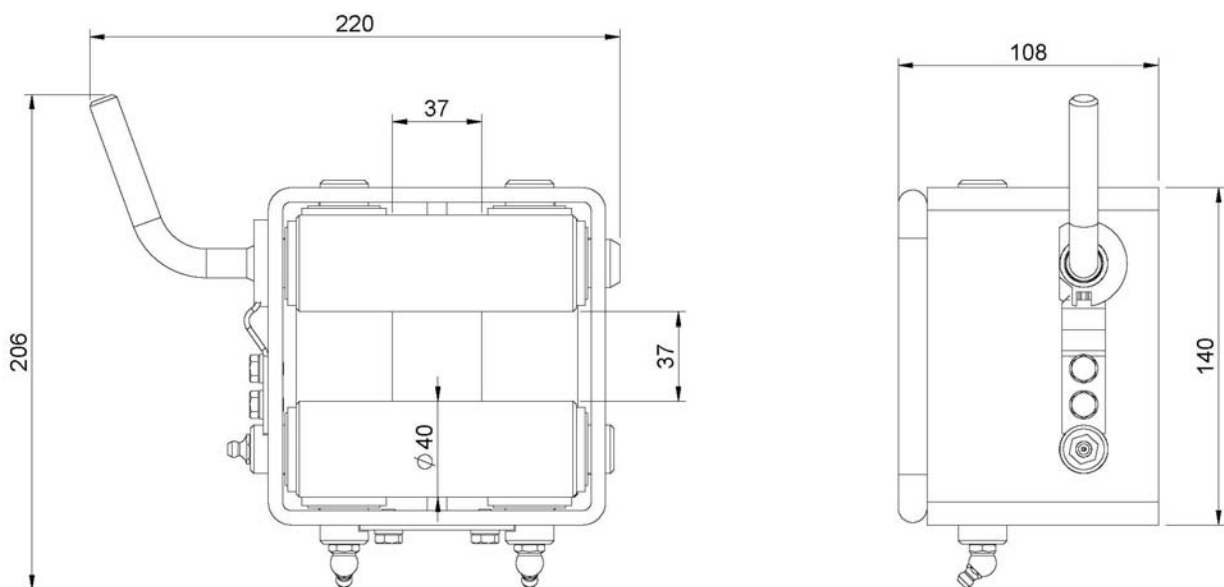
37x37

40 mm

N/A

7 kg

Dimensional drawing (mm)



Regarding vehicle interface please contact Sepson

