

# WORLD CLASS WINCHES

RELIABLE – DEPENDABLE – UNCOMPLICATED



## SEPGAIN H40

### Technical Data

Product # 62.54-003

**Freespool clutch**

Not available

**Max. pulling force**  
- bottom rope layer

40 kN

**Max. rope speed**  
- bottom rope layer

8 m/min

**Maximum oil pressure**  
**Maximum oil flow**

160 bar  
60 l/min

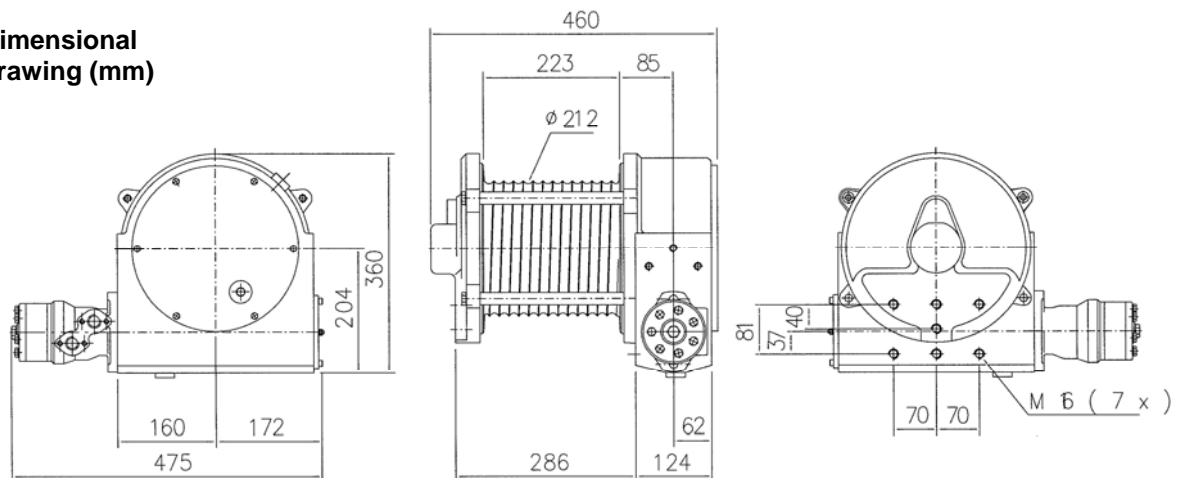
**Rope drum diameter**  
**Rope diameter**  
**Rope length**  
**Rope MBL (EN 14492-1)**  
**Number of rope layers**

212 mm  
14 mm  
7 m  
≥ 80 kN  
1

**Winch weight**  
**Rope weight**

100 kg  
10 kg

**Dimensional drawing (mm)**



Compliant to EN 14492-1

