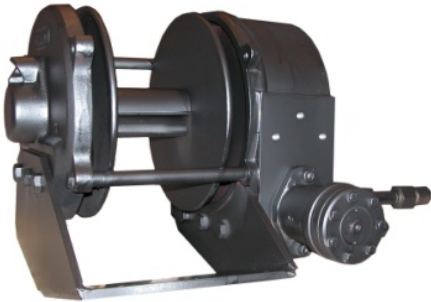


# WORLD CLASS WINCHES

RELIABLE – DEPENDABLE – UNCOMPLICATED



## SEPGAIN H40

### Technical Data

#### *Freespool clutch*

Not available

#### *Max. pulling force*

- bottom band layer
- top band layer

70 kN  
20 kN

#### *Max. rope speed*

- bottom band layer
- top band layer

4 m/min  
14 m/min

#### *Maximum oil pressure* *Maximum oil flow*

125 bar  
60 l/min

#### *Rope drum diameter*

75 mm

#### *Band width*

150 mm

#### *Band thickness*

5 mm

#### *Band length*

11 m

#### *Band MBL (EN 14492-1)*

≥ 210 kN

#### *Number of rope layers*

22

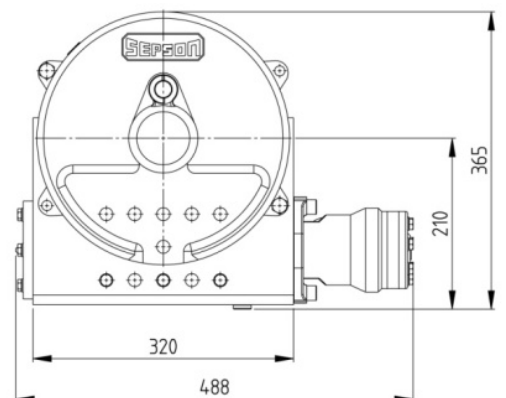
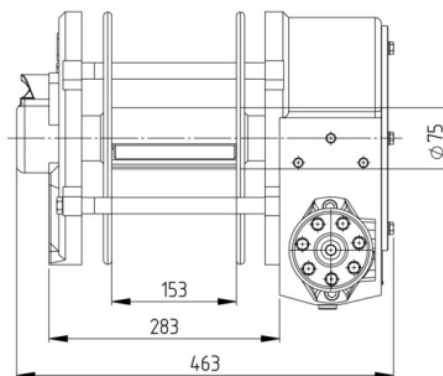
#### *Winch weight*

100 kg

#### *Rope weight*

12 kg

#### Dimensional drawing (mm)



Compliant to EN 14492-1

