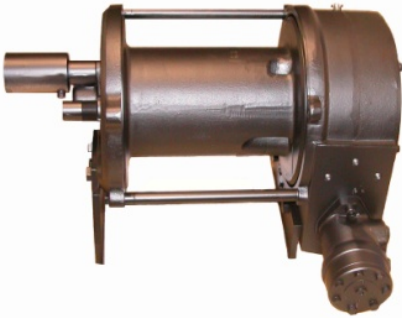


# WORLD CLASS WINCHES

RELIABLE – DEPENDABLE – UNCOMPLICATED



## SEPGAIN H70

### Technical Data

#### *Freespool clutch*

#### *Max. pulling force*

- bottom rope layer
- top rope layer

#### *Max. rope speed*

- bottom rope layer
- top rope layer

#### *Maximum oil pressure*

#### *Maximum oil flow*

#### *Rope drum diameter*

#### *Rope diameter*

#### *Rope length*

#### *Rope MBL (EN 14492-1)*

#### *Number of rope layers*

#### *Winch weight*

#### *Rope weight*

#### Dimensional drawing (mm)

### Product # 62.56-043

Pneumatic

70 kN

54 kN

6 m/min

8 m/min

200 bar

70 l/min

180 mm

14 mm

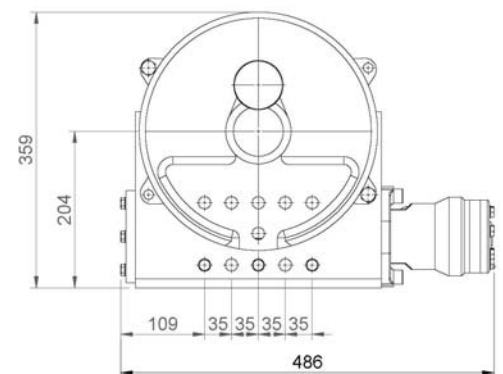
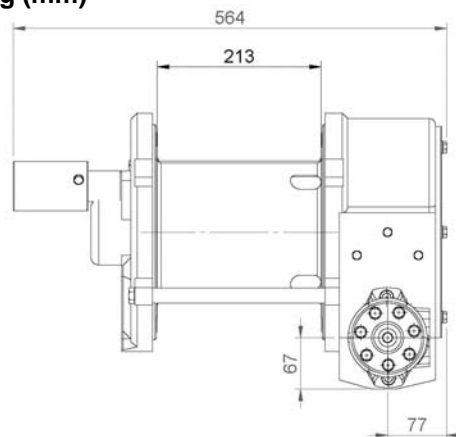
30 m

≥ 140 kN

3

115 kg

35 kg



Compliant to EN 14492-1

