

WORLD CLASS WINCHES

RELIABLE – DEPENDABLE – UNCOMPLICATED



SEPMATIC H100

Technical Data

Freespool clutch

Max. pulling force

- bottom rope layer
- top rope layer

Max. rope speed

- bottom rope layer
- top rope layer

Maximum oil pressure

Maximum oil flow

Rope drum diameter

Rope diameter

Rope length

Rope MBL (EN 14492-1)

Number of rope layers

Winch weight

Rope weight

Dimensional drawing (mm)

Product # 63.31-058

Pneumatic

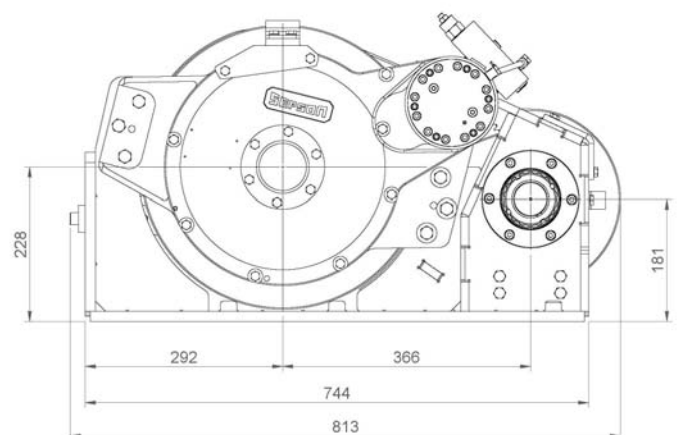
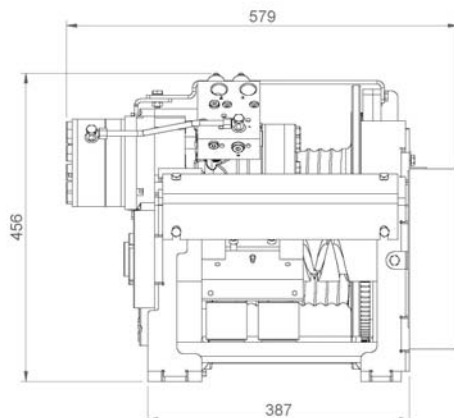
100 kN
65 kN

8 m/min
12 m/min

160 bar
70 l/min

224 mm
16 mm
60 m
≥ 200 kN
5

260 kg
70 kg



Compliant to EN 14492-1

