

# WORLD CLASS WINCHES

RELIABLE – DEPENDABLE – UNCOMPLICATED



## SEPDURANCE H100L

### Technical Data

Product # 63.31-114

**Freespool clutch**

N/A

**Max. pulling force**

- bottom rope layer
- top rope layer

100 kN  
65 kN

**Max. lifting force**

- bottom rope layer
- top rope layer

78 kN  
50 kN

**Max. rope speed**

- bottom rope layer
- top rope layer

10 m/min  
16 m/min

**Maximum oil pressure**

200/160 bar

**Maximum oil flow**

75 l/min

**Rope drum diameter**

224 mm

**Rope diameter**

16 mm

**Rope length**

60 m

**Rope MBL (EN 14492-1) Safety factor 3,55**

278 kN

**Number of rope layers**

5

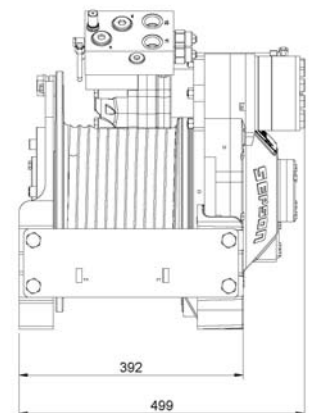
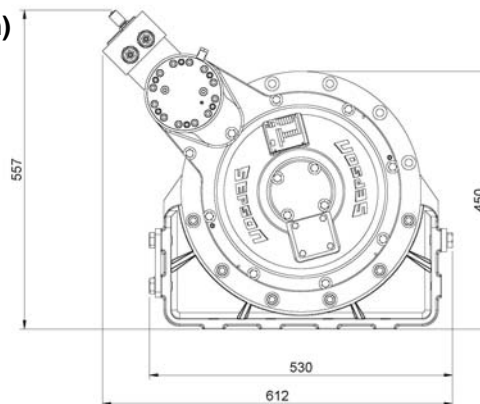
**Winch weight**

210 kg

**Rope weight**

67 kg

**Dimensional drawing (mm)**



Compliant to EN 14492-1 and SAE J706

