

# WORLD CLASS WINCHES

RELIABLE – DEPENDABLE – UNCOMPLICATED



## SEPDURANCE H120F

Rope "under wound"

### Technical Data

**Freespool clutch**

**Max. pulling force**

- bottom rope layer
- top rope layer

**Max. rope speed**

- bottom rope layer
- top rope layer

**Maximum oil pressure**

**Maximum oil flow**

**Rope drum diameter**

**Rope diameter**

**Rope length**

**Rope MBL (EN 14492-1)**

**Number of rope layers**

**Winch weight**

**Rope weight**

**Dimensional drawing (mm)**

### Product # 63.31-130

Pneumatic

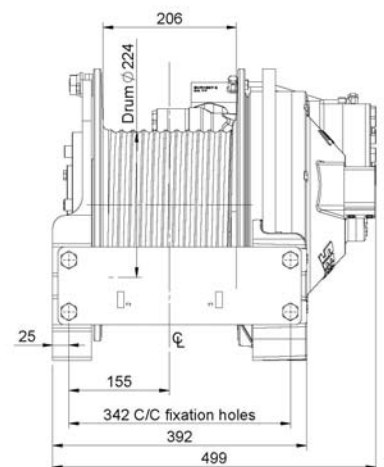
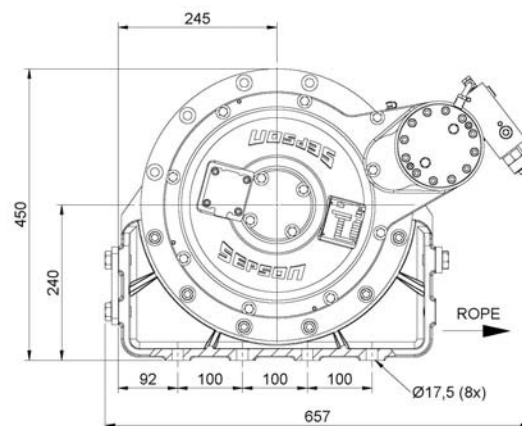
120 kN  
78kN

7 m/min  
11 m/min

200 bar  
70 l/min

224 mm  
16 mm  
60 m  
≥ 240 kN  
5

215 kg  
67 kg



Compliant to EN 14492-1 and SAE J706

