

WORLD CLASS WINCHES

RELIABLE – DEPENDABLE – UNCOMPLICATED



SEPDURANCE H150S

Technical Data

Freespool clutch

Max. pulling force

- bottom rope layer
- top rope layer

Max. rope speed

- bottom rope layer
- top rope layer

Maximum oil pressure

Maximum oil flow

Rope drum diameter

Rope diameter

Rope length

Rope MBL (EN 14492-1)

Number of rope layers

Winch weight

Rope weight

Dimensional drawing (mm)

Product # 63.31-171

Pneumatic

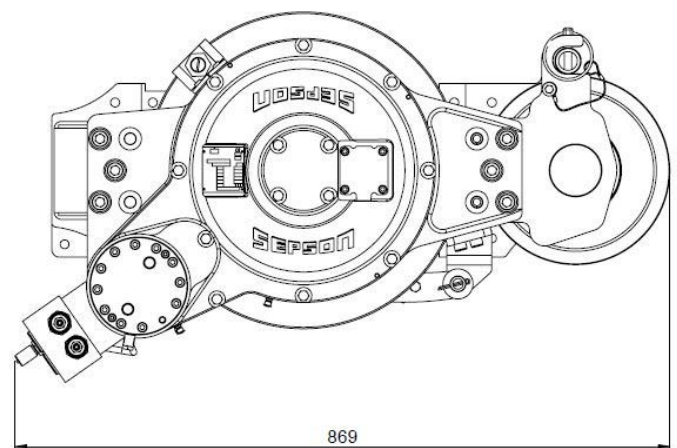
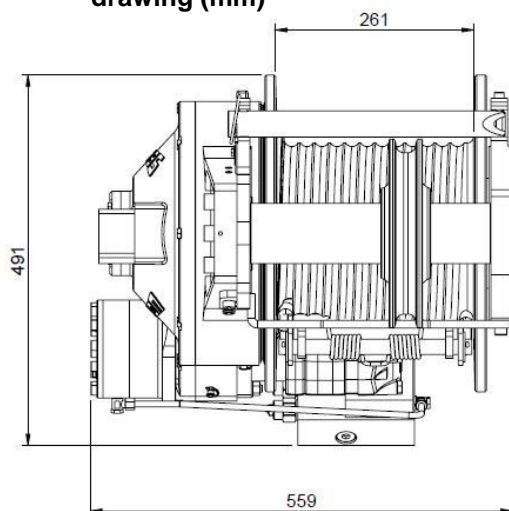
150 kN
105 kN

6 m/min
9 m/min

200 bar
75 l/min

230 mm
19 mm
50 m
≥ 300 kN
4

250 kg
105 kg



Compliant to EN 14492-1

