

WORLD CLASS WINCHES

RELIABLE – DEPENDABLE – UNCOMPLICATED



SEPDURANCE H200

Rope "over wound"

Technical Data

Freespool clutch

*Max. pulling force in low speed mode**

- bottom rope layer
- top rope layer

*Max. rope speed in low speed mode**

- bottom rope layer
- top rope layer

Maximum rope speed in high speed mode

- bottom rope layer
- top rope layer

Maximum oil pressure

Maximum oil flow

Rope drum diameter

Rope diameter

Rope length

Rope MBL (EN 14492-1)

Number of rope layers

Winch weight

Rope weight

Dimensional drawing (mm)

Product # 63.34-054

Pneumatic

200 kN
135 kN

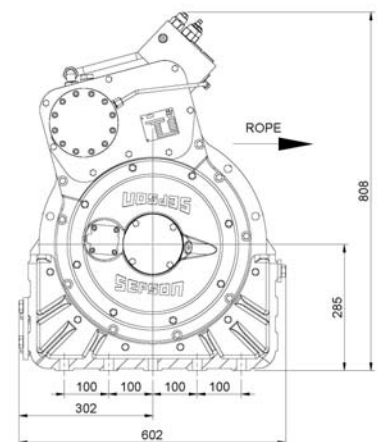
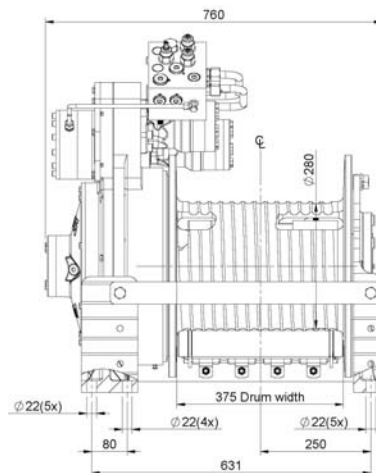
3.5 m/min
5 m/min

11 m/min
16 m/min

200 bar
80 l/min

280 mm
24 mm
60 m
≥ 400 kN
4

450 kg
190 kg



Compliant to EN 14492-1

