

WORLD CLASS WINCHES

RELIABLE – DEPENDABLE – UNCOMPLICATED



SEPDURANCE H200

Rope "over wound"

Technical Data

Freespool clutch

Max. pulling force in low speed mode*

- bottom rope layer
- top rope layer

Max. rope speed in low speed mode*

- bottom rope layer
- top rope layer

Maximum rope speed in high speed mode

- bottom rope layer
- top rope layer

Maximum oil pressure

Maximum oil flow

Rope drum diameter

Rope diameter

Rope length

Rope MBL (EN 14492-1)

Number of rope layers

Winch weight

Rope weight

Dimensional drawing (mm)

Product # 63.34-064

Pneumatic

200 kN
140 kN

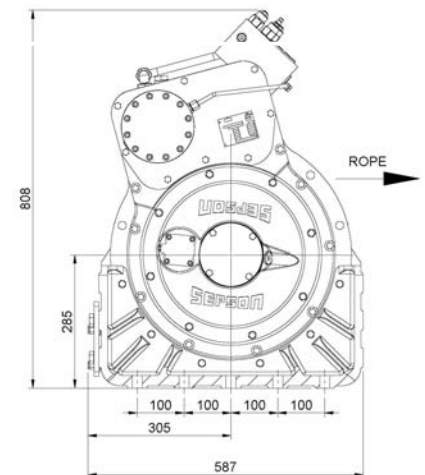
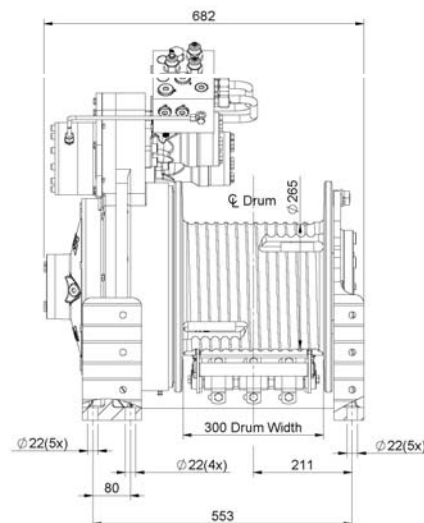
3 m/min
5 m/min

11 m/min
16 m/min

200 bar
80 l/min

266 mm
20 mm
60 m
≥ 400 kN
4

400 kg
130 kg



Compliant to EN 14492-1

