

WORLD CLASS WINCHES

RELIABLE – DEPENDABLE – UNCOMPLICATED



SEPDURANCE H200L

Rope "over wound"

Technical Data

Product # 63.34-033

Freespool clutch

N/A

*Max. pulling force in low speed mode**

- bottom rope layer
- top rope layer

240 kN
160 kN

*Max. lifting force in low speed mode**

- bottom rope layer
- top rope layer

160 kN
110 kN

*Max. rope speed in low speed mode**

- bottom rope layer
- top rope layer

3.0 m/min
5.0 m/min

Maximum rope speed in high speed mode

- bottom rope layer
- top rope layer

10 m/min
15 m/min

Maximum oil pressure

200/130 bar

Maximum oil flow

80 l/min

Rope drum diameter

280 mm

Rope diameter

24 mm

Rope length

60 m

Rope MBL (EN 14492-1) Safety factor 3.55

≥ 570 kN

Number of rope layers

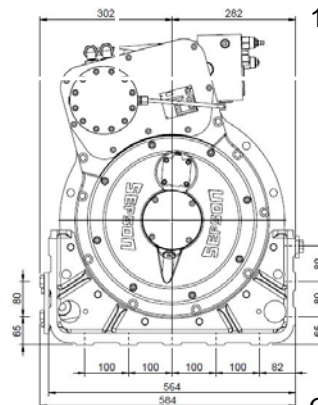
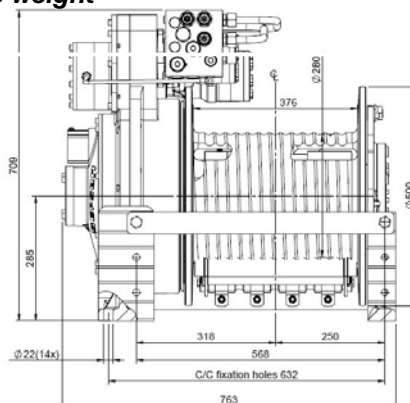
4

Winch weight

440 kg

Rope weight

130 kg



Compliant to EN 14492-1

