

WORLD CLASS WINCHES

RELIABLE – DEPENDABLE – UNCOMPLICATED

SEPDURANCE H50



Technical Data

Freespool clutch

Max. pulling force

- bottom rope layer
- top rope layer

Max. rope speed

- bottom rope layer
- top rope layer

Maximum oil pressure

Maximum oil flow

Rope drum diameter

Rope diameter

Rope length

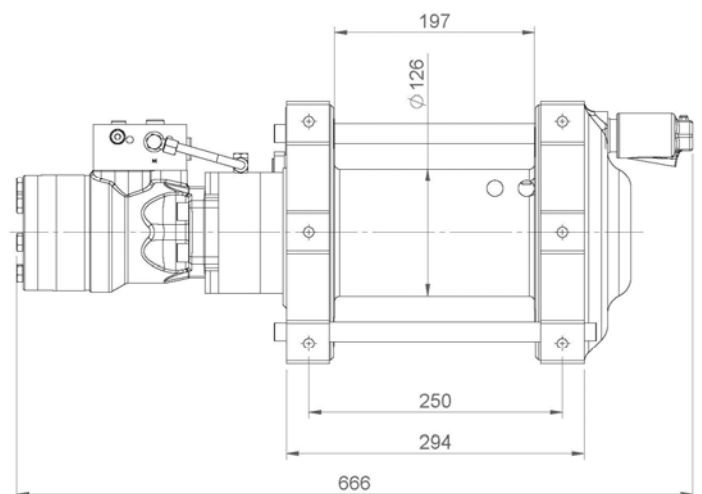
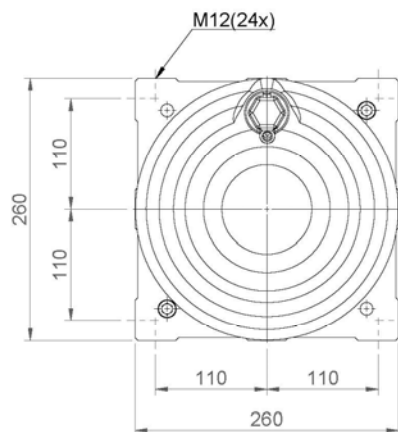
Rope MBL (EN 14492-1)

Number of rope layers

Winch weight

Rope weight

Dimensional drawing (mm)



Compliant to EN 14492-1 and SAE J706

