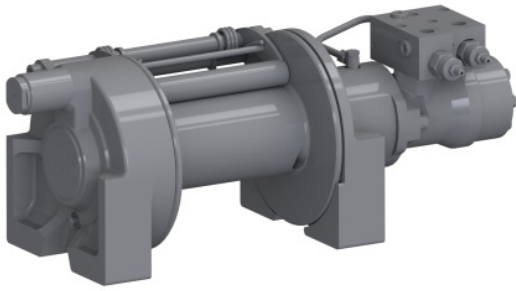


# WORLD CLASS WINCHES

RELIABLE – DEPENDABLE – UNCOMPLICATED



## SEPDURANCE H60

Product # 73.07-105

**Freespool clutch**

Pneumatic

**Max. pulling force**

- bottom rope layer
- top rope layer

54 kN  
33 kN

**Max. rope speed**

- bottom rope layer
- top rope layer

17 m/min  
28 m/min

**Maximum oil pressure**

175 bar

**Maximum oil flow**

60 l/min

**Rope drum diameter**

100 mm

**Rope diameter**

12 mm

**Rope length**

30 m

**Rope MBL (EN 14492-1)**

≥ 108 kN

**Number of rope layers**

4

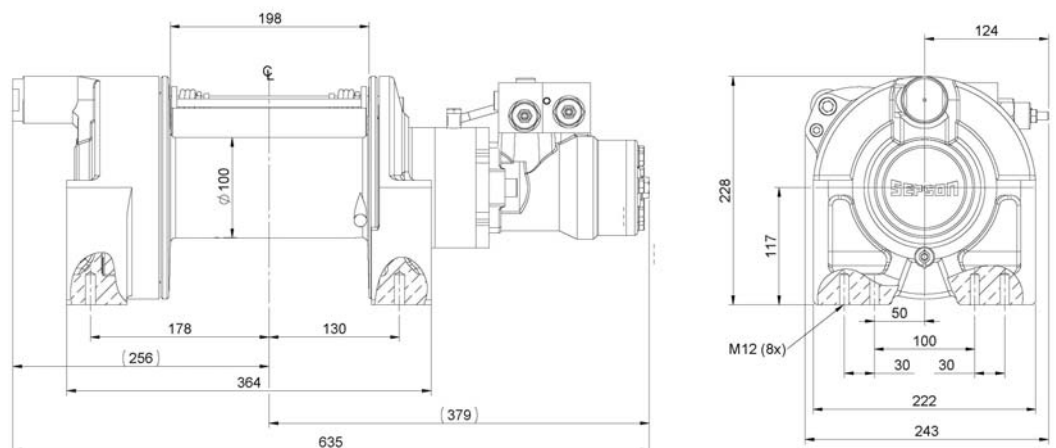
**Winch weight**

50 kg

**Rope weight**

24 kg

**Dimensional drawing (mm)**



Compliant to EN 14492-1

