

# WORLD CLASS WINCHES

RELIABLE – DEPENDABLE – UNCOMPLICATED



## SEPDURANCE H90

### Technical Data

#### *Freespool clutch*

#### *Max. pulling force*

- bottom rope layer
- top rope layer

#### *Max. rope speed*

- bottom rope layer
- top rope layer

#### *Maximum oil pressure*

#### *Maximum oil flow*

#### *Rope drum diameter*

#### *Rope diameter*

#### *Rope length*

#### *Rope MBL (EN 14492-1)*

#### *Number of rope layers*

#### *Winch weight*

#### *Rope weight*

#### *Dimensional drawing (mm)*

### Product # 73.08-024

Hydraulic/Pneumatic

90 kN

56 kN

6 m/min

10 m/min

150 bar

60 l/min

126 mm

14 mm

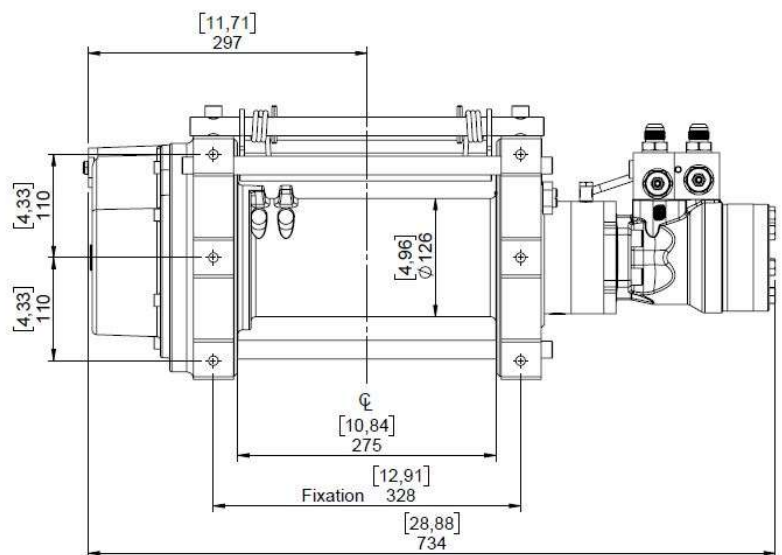
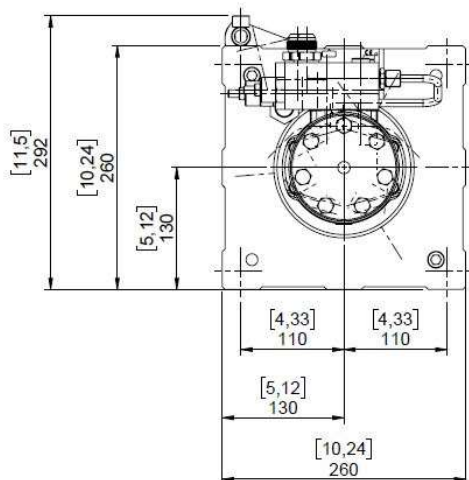
40 m

≥ 180 kN

4

96 kg

35 kg



Compliant to EN 14492-1 and SAE J706

