

# WORLD CLASS WINCHES

RELIABLE – DEPENDABLE – UNCOMPLICATED



## SEPMATIC H120

Product # 63.31-116

***Freespool clutch***

Pneumatic

***Max. pulling force***

- bottom rope layer
- top rope layer

120 kN  
78 kN

***Max. rope speed***

- bottom rope layer
- top rope layer

9 m/min  
13 m/min

***Maximum oil pressure***

200 bar

***Maximum oil flow***

75 l/min

***Rope drum diameter***

224 mm

***Rope diameter***

16 mm

***Rope length***

60 m

***Rope MBL (EN 14492-1)***

≥ 240 kN

***Number of rope layers***

5

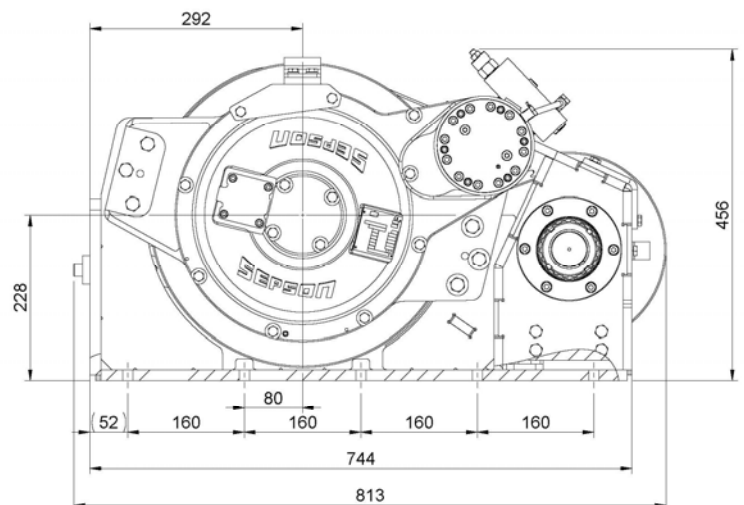
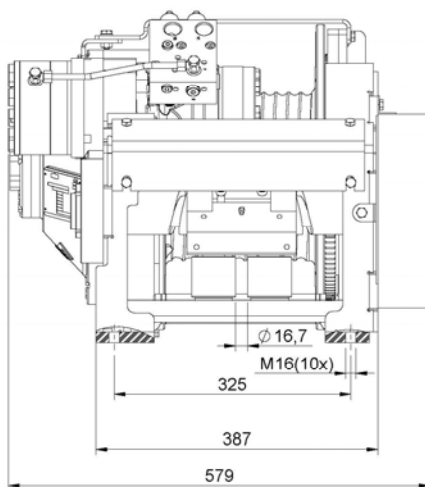
***Winch weight***

275 kg

***Rope weight***

70 kg

**Dimensional drawing (mm)**



Compliant to EN 14492-1 and SAE J706

