

# WORLD CLASS WINCHES

RELIABLE – DEPENDABLE – UNCOMPLICATED



## SEPMATIC H240

### Technical Data

#### *Freespool clutch*

#### *Max. pulling force in low speed mode\**

- bottom rope layer
- top rope layer

#### *Max. rope speed in low speed mode\**

- bottom rope layer
- top rope layer

#### *Maximum rope speed in high speed mode*

- bottom rope layer
- top rope layer

#### *Maximum oil pressure*

#### *Maximum oil flow*

#### *Rope drum diameter*

#### *Rope diameter*

#### *Rope length*

#### *Rope MBL (EN 14492-1)*

#### *Number of rope layers*

#### *Winch weight*

#### *Rope weight*

#### *Dimensional drawing (mm)*

### Product # 63.34-023

Pneumatic

240 kN  
162 kN

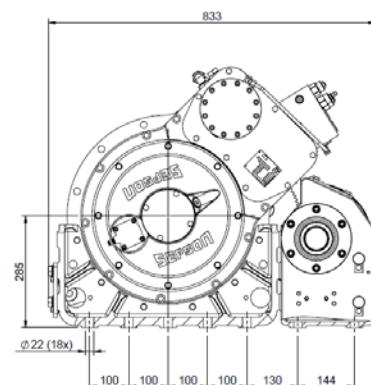
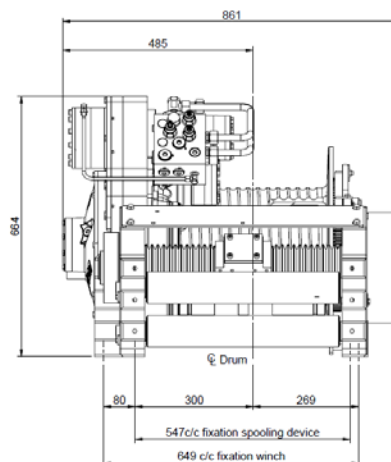
3.0 m/min  
4.5 m/min

10 m/min  
14,5 m/min

200 bar  
80 l/min

280 mm  
24 mm  
60 m  
≥ 480 kN  
4

580 kg  
190 kg



Compliant to EN 14492-1

