

WORLD CLASS WINCHES

RELIABLE – DEPENDABLE – UNCOMPLICATED



SEPMATIC H400

Technical Data

Freespool clutch

*Max. pulling force in low speed mode**

- bottom rope layer
- top rope layer

*Max. rope speed in low speed mode**

- bottom rope layer
- top rope layer

Maximum rope speed in high speed mode

- bottom rope layer
- top rope layer

Maximum oil pressure

Maximum oil flow

Rope drum diameter

Rope diameter

Rope length

Rope MBL (EN 14492-1)

Number of rope layers

Winch weight

Rope weight

Dimensional drawing (mm)

Product # 63.35-012

Pneumatic

400 kN
270 kN

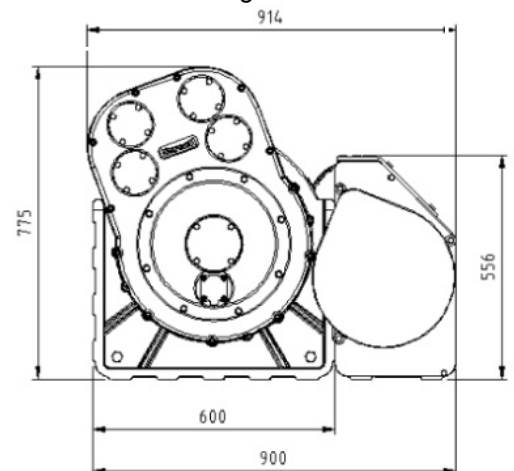
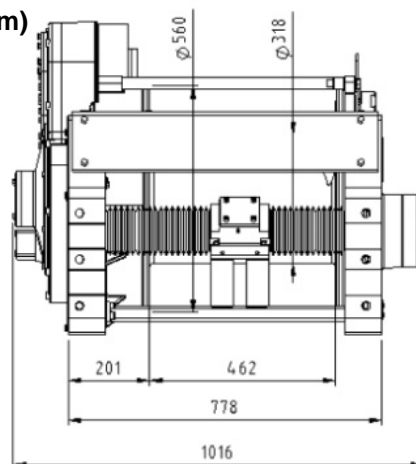
2 m/min
3 m/min

7 m/min
10 m/min

200 bar
80 l/min

320 mm
28 mm
80 m
≥ 800 kN
4

780 kg
307 kg



Compliant to EN 14492-1

