

# WORLD CLASS WINCHES

RELIABLE – DEPENDABLE – UNCOMPLICATED



## SEPMATIC H80

### Technical Data

#### *Freespool clutch*

#### *Max. pulling force*

- bottom rope layer
- top rope layer

#### *Max. rope speed*

- bottom rope layer
- top rope layer

#### *Maximum oil pressure*

#### *Maximum oil flow*

#### *Rope drum diameter*

#### *Rope diameter*

#### *Rope length*

#### *Rope MBL (EN 14492-1)*

#### *Number of rope layers*

#### *Winch weight*

#### *Rope weight*

#### *Dimensional drawing (mm)*

### Product # 73.08-003

Hydraulic/Pneumatic

80 kN

50 kN

7 m/min

11 m/min

175 bar

60 l/min

126 mm

12 mm

60 m

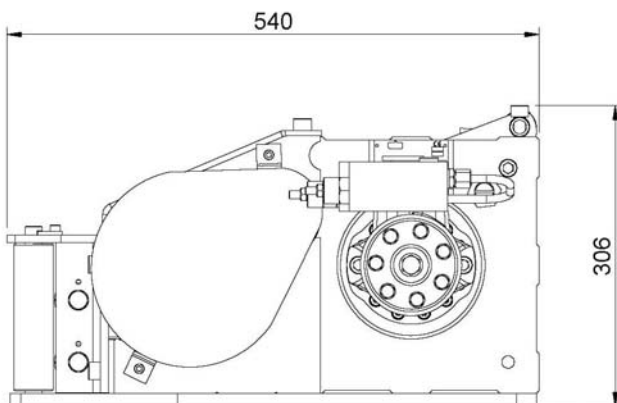
≥ 160 kN

4

150 kg

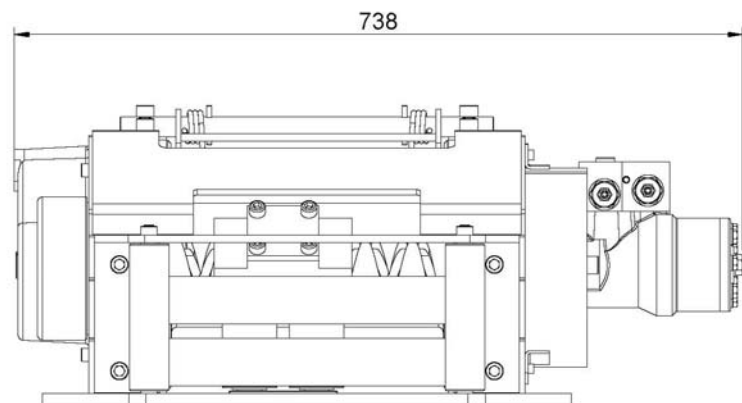
45 kg

540



306

738



Compliant to EN 14492-1 and SAE J706

